

DATE SUBMITTED 06/8/22
 SUBMITTED BY PARKS
 DATE ACTION REQUIRED 06/15/22

COUNCIL ACTION (X)
 PUBLIC HEARING REQUIRED ()
 RESOLUTION ()
 ORDINANCE 1ST READING ()
 ORDINANCE 2ND READING ()
 CITY CLERK'S INITIALS ()

**IMPERIAL CITY COUNCIL
 AGENDA ITEM**

SUBJECT: DISCUSSION/ACTION- PROP 68 PER CAPITA GRANT PROJECTS
 1. APPROVE THE PURCHASE OF NEW RETROFIT LED LIGHTING FOR EVANS PARK T BALL FIELD FROM MUSCO LIGHTING IN THE AMOUNT OF 42,400.00
 DEPARTMENT INVOLVED: PARKS

BACKGROUND/SUMMARY:
 City Council approved 5 park improvement projects that were funded from Prop 68 Per Capita Grant monies. One of these projects included the retrofitting of T ball field lighting at Evans park. Staff has completed the process of receiving quotes for this project and recommends that the City Council approve the quote submitted by Musco Lighting.
 PLEASE SEE ATTACHED SOURCEWELL QUOTE:


FISCAL IMPACT: \$42,400.00
 PROP 68 PER CAPITA FUNDS

FINANCE INITIALS 

STAFF RECOMMENDATION: It is the department's recommendation for City Council to approve the quote submitted by Musco lighting in the amount of \$42,400.

DEPT. INITIALS 

MANAGER'S RECOMMENDATION:
approve

CITY MANAGER'S INITIALS 

MOTION:
 SECONDED: APPROVED () REJECTED ()
 AYES: DISAPPROVED () DEFERRED ()
 NAYES:
 ABSENT: REFERRED TO:

Budget Estimate

Evans Park Ballfield LED Retrofit – Imperial, CA To: City of Imperial – May 3, 2022

Sourcewell

Master Project: 199030, Contract Number: 071619-MSL, Expiration: 08/27/2023
Category: Sports lighting with related supplies and services

All purchase orders should note the following:
Sourcewell purchase – contract number: 071619-MSL

Budget Estimate

Musco's SportsCluster® system as described below, and delivered to the job site:

Softball Field – 160' Radius – 30/20FC

Musco Materials SportsCluster with Controls:	\$39,400
Estimated Sales Tax on Musco materials based on 7.75% rate:	\$ 3,000
Estimated Total Project Costs:	\$42,400

*Electrical Engineering and bid day mark-up by contractors if publicly bid is not included.
Pricing furnished is valid through December 2022.*

SportsCluster® System with Total Light Control – TLC for LED® Technology

Factory build, wired, aimed and tested lighting system includes:

- (4) Factory wired poletop luminaire assemblies
- (8) Factory aimed and assembled luminaires
- Factory wired and tested remote electrical component enclosures
- Pole length, factory assembled wire harnesses
- Mounting hardware for poletop luminaire assemblies and electrical components enclosures
- Disconnects
- UL listed as a system

Also Included:

- Unmatched Superior Spill and Glare Control
- Reduction of energy & maintenance costs by 50% to 85% over typical 1500w HID
- Lighting Contactor Cabinet including contactors and OOA switch
- Control-Link includes Control-Link® control and monitoring system for remote on/off control, dimming (high/med/low), and monitoring with 24/7
- **Guaranteed** light levels of 30 foot-candles infield and 20 foot-candles outfield
- **10 Year All Parts and All Labor Included Warranty:** Warranty that includes materials and onsite labor, eliminating 100% of your maintenance costs for 10 years
- **Freight is Included**



Budget Estimate

Payment Terms

To be coordinated with Musco's Credit Department.

Email or fax a copy of the Purchase Order to Musco Sports Lighting, LLC:

Musco Sports Lighting, LLC
Attn: Karin Anderson
Email: Karin.anderson@musco.com

**All purchase orders should note the following:
Sourcewell purchase – contract number: 071619-MSL**

Estimate is based on:

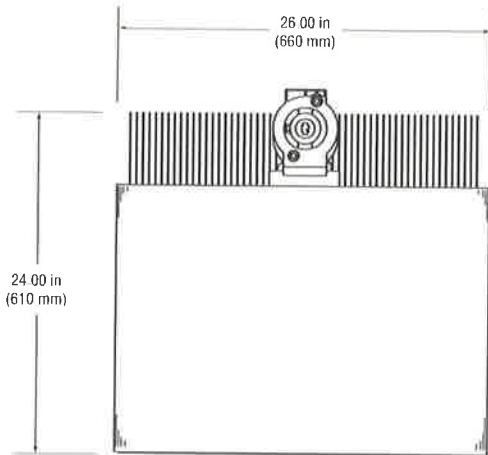
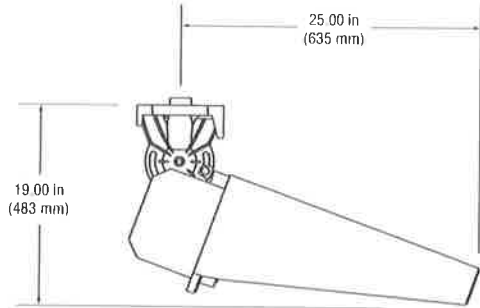
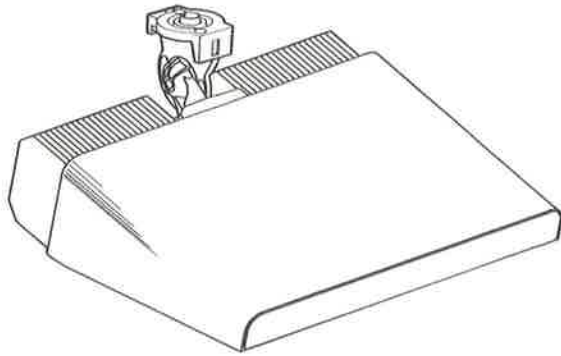
- Shipment of entire project together to one location.
- Assumes existing electrical infrastructure is adequate
- **Budget estimate pricing is based on (1) ballfield of approximately 160' Radius lit to 30 foot-candles infield and 20 foot-candles outfield. Price is based on Control-link® controls and monitoring system.**
- The LED SportsCluster® option would be new TLC for LED® fixtures to be mounted on the existing non-musco poles. This option would be contingent on the existing poles passing a structural evaluation and having the capability to handle the EPA of the new fixtures. A pole inspection is the responsibility of the customer
- Musco is not responsible for the structural integrity of the existing poles. Structural Engineering of the new loading is included and will be provided. The City is responsible for evaluating if the new load will not exceed the existing load.
- Structural code and wind speed = 2019 CBC, 95 mi/h, and exposure: C, Importance Factor 1.0.
- Confirmation of pole locations prior to providing quote

Thank you for considering our Team for your sports lighting needs. Please contact me with any questions.

Karin Anderson

Karin Anderson
Field Sales Representative
Musco Sports Lighting, LLC
Phone: 858-232-1620
E-mail: Karin.anderson@musco.com





Luminaire Data

Weight (luminaire)	45 lb (20 kg)
UL listing number	E338094
UL listed for USA / Canada	UL1598 CSA-C22.2 No.250.0
CE Declaration	LVD, EMC, RoHS
Ingress protection, luminaire	IP65
Impact rating	IK07
Material and finish	Aluminum, powder-coat painted
Wind speed rating (aiming only)	150 mi/h (67 m/s)
UL, IEC ambient temperature rating, luminaire	50°C (122°F)

Photometric Characteristics

Projected lumen maintenance per IES TM-21-11

L90 (20k)	>120,000 h
L80 (20k)	>120,000 h
L70 (20k)	>120,000 h

Lumens'	136,000
CIE correlated color temperature	5700 K
Color rendering index (CRI)	75 typ, 70 min
LED binning tolerance	7-step MacAdam Ellipse

Footnotes:

1) Incorporates appropriate dirt depreciation factor for life of luminaire.

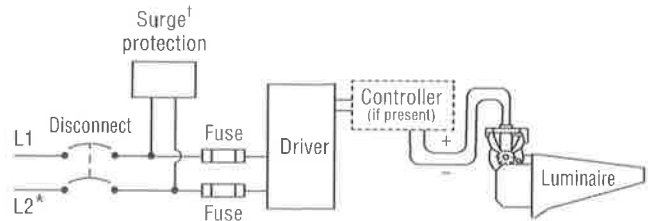
Datasheet: TLC-LED-1200 Luminaire and Driver

Driver Data

Electrical Data

Rated wattage ¹	
Per driver	1170 W
Per luminaire	1170 W
Number of luminaires per driver	1
Starting (inrush) current	<40 A, 256 μ s
Fuse rating	15 A
UL, IEC ambient temperature rating, electrical components enclosure	50°C (122°F)
Ingress protection, electrical components enclosure	IP54
Efficiency	95%
Dimming mode	optional
Range, energy consumption	14 – 100%
Range, light output	19 – 100%
Flicker	<2%
Total harmonic distortion (THD) at full output	<20%

Typical Wiring



* If L2 (com) is neutral then not switched or fused.
 † Not present if indoor installation.

	200 Vac 50/60 Hz	208 Vac 60 Hz	220 Vac 50/60 Hz	230 Vac 50 Hz	240 Vac 50/60 Hz	277 Vac 60 Hz	347 Vac 60 Hz	380 Vac 50/60 Hz	400 Vac 50 Hz	415 Vac 50 Hz	480 Vac 60 Hz
Max operating current per luminaire²	7.26 A	6.98 A	6.60 A	6.31 A	6.05 A	5.24 A	4.18 A	3.82 A	3.63 A	3.50 A	3.03 A

Footnotes:

- 1) Rated wattage is the power consumption, including driver efficiency losses, at stabilized operation in 25°C ambient temperature environment.
- 2) Operating current includes allowance for 0.90 minimum power factor, operating temperature, and LED light source manufacturing tolerances.

Notes

1. Use thermal magnetic HID-rated or D-curve circuit breakers.
2. See *Musco Control System Summary* for circuit information.



TLC for LED®

Lighting System for Mounting to Existing Structures

- Factory wired, aimed, and tested
- Easy installation to existing structures
- Comprehensive corrosion package
- Grounding connection for bonding to pole or down conductor

